

Wind Speed Sensor Manual

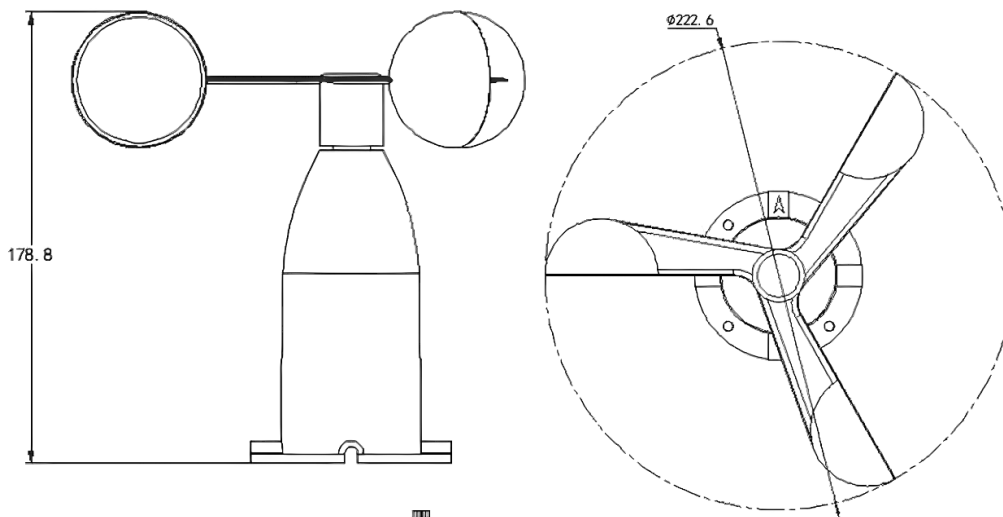
CWT-SWS-A-A (Aluminum casing, analog type)



Basic parameters

Power supply	DC10-30V
Power consumption	≤0.1W
Measuring range	0~60m/s
Resolution	0.1m/s
Accuracy	± (0.2+0.03V) m/s V is wind speed
Response time	≤1s
Startup wind speed	≤0.2m/s
Working environment	-20~60℃ / 0~80%RH
output	4-20mA/0-5V/0-10V
Load capacity	Voltage output: output resistance ≤250 Ω Current output: ≤600 Ω

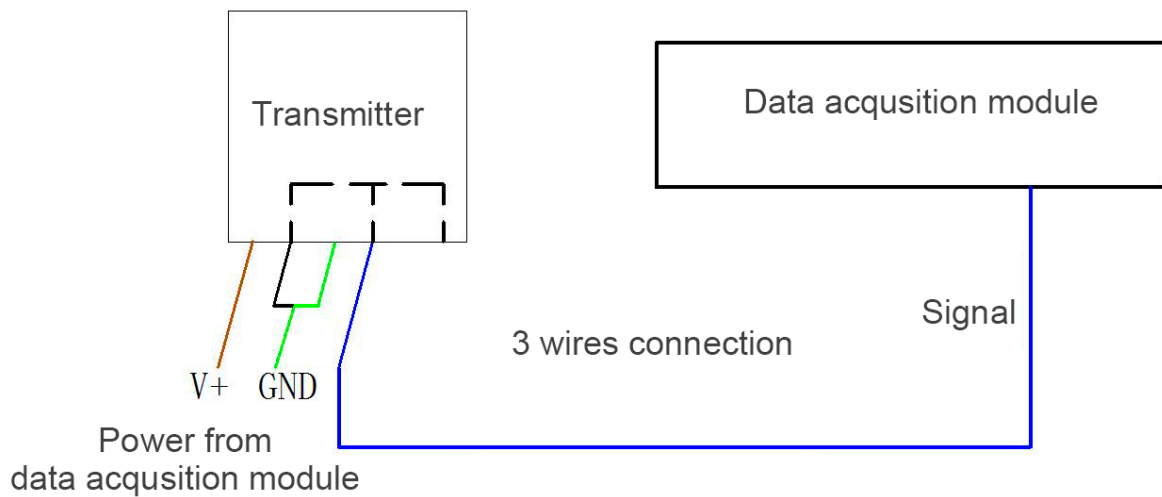
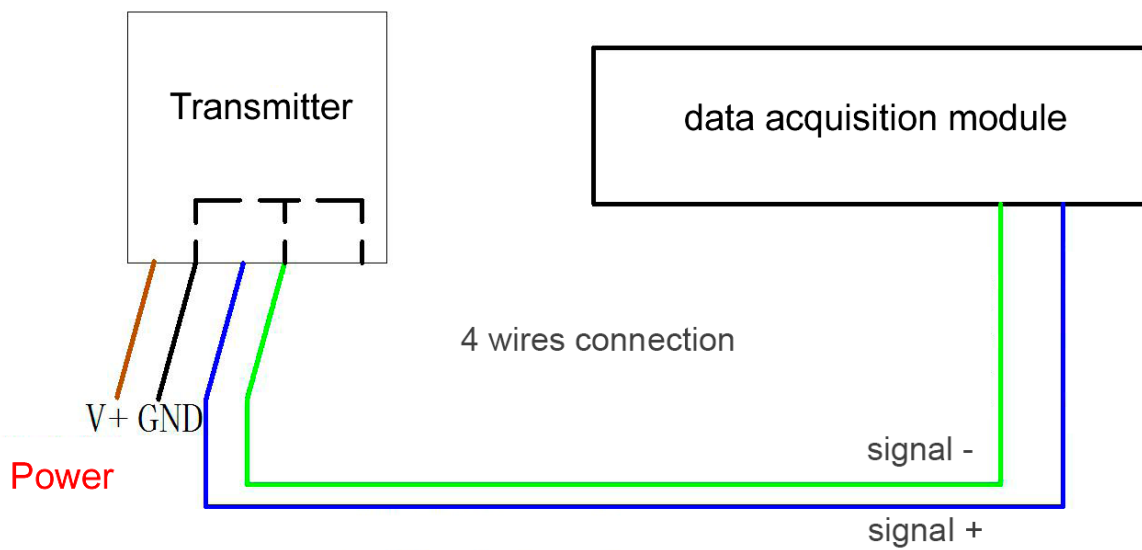
Size



Wiring

Cable color	Description
Brown	Power + (DC10-30V)
black	Power -
Blue	Singal output +
Green (or yellow)	Singal output -

Connection diagram



Calculation

Current (4-20mA) output type:

measuring value= ((speed max- speed min)/(MA/max-MA/min)) *(output value-4)

for example, transmitter measuring range: 0-60m/s

output value is 12mA.

measuring value= ((60-0)/ (20-4)) *(12-4) = 30m/s

Voltage (0-5V/0-10V) output type:

measuring value= ((speed max- speed min))/(Vmax-Vmin)) *output value

for example, transmitter measuring range: 0-60m/s

voltage type: 0-10V, output value is 5V.

measuring value= ((60-0)/ (10-0)) *5 = 30m/s